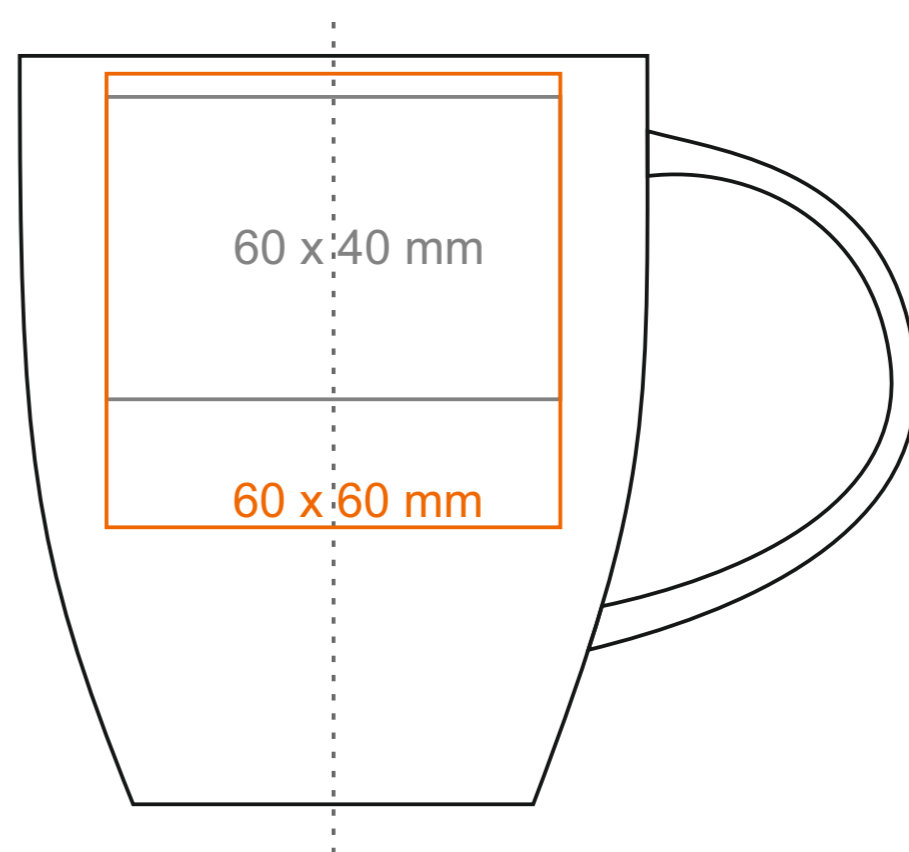
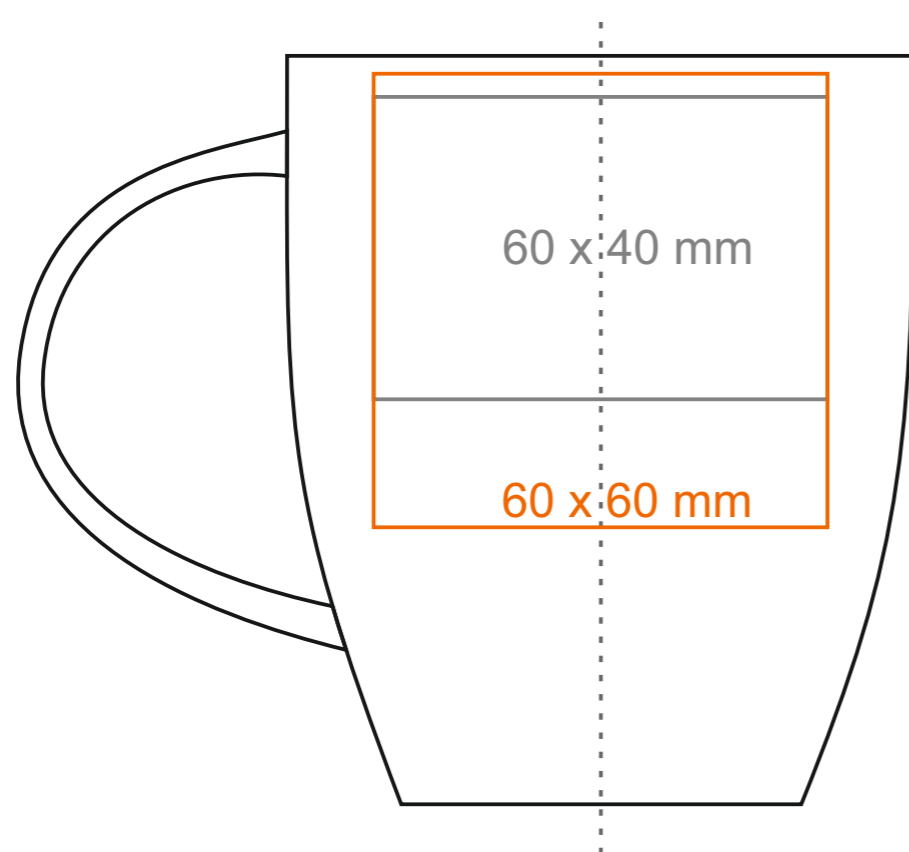
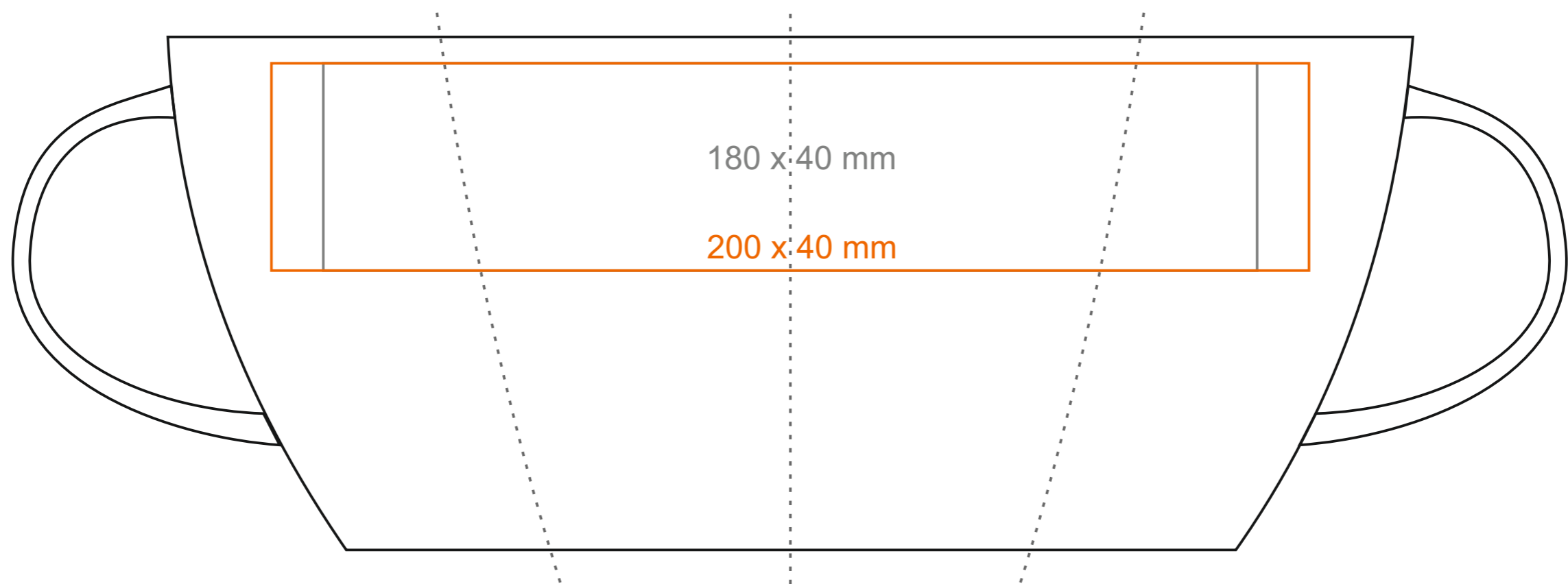


M_451 Easy

300 ml / h: 99 mm / Ø 85 mm
kubek z łyżeczką h:124 mm



- | | |
|-------------------------------|--------------|
| Imprint on the inside | - 50 x 20 mm |
| Imprint on the bottom inside | - Ø 30 mm |
| Imprint on the bottom outside | - Ø 40 mm |

*In the case of projects for transfer print running outside of the standard print area, please contact our sales department.

[How to prepare print material](#)

meaning

- Transfer Print
- Sensitive Touch
- Direct Print